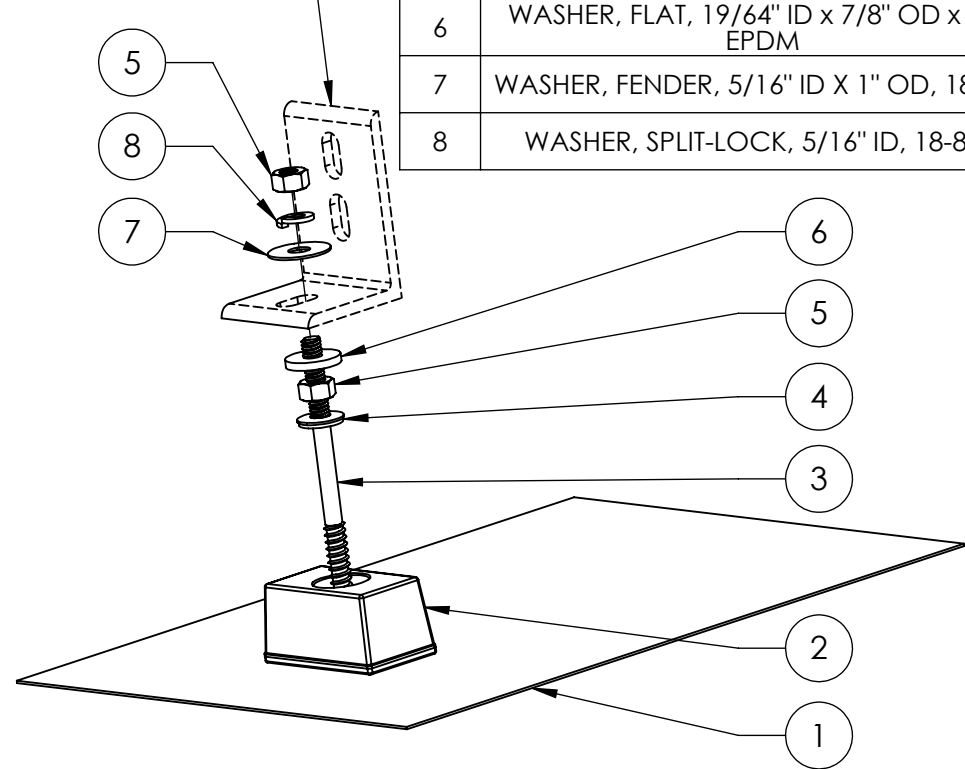


RACKING COMPONENTS NOT INCLUDED



ITEM NO.	DESCRIPTION	QTY.
1	FLASHING, 9" X 12" X .040", 5052, MILL	1
2	QBLOCK, CLASSIC, A360.1 CAST AL, MILL	1
3	HANGER BOLT, PLAIN CENTER, 5/16" x 6", 18-8 SS	1
4	WASHER, SEALING, 5/16" ID X 3/4" OD, EPDM BONDED SS	1
5	NUT, HEX, 5/16-18, UNC-2B, 18-8 SS	2
6	WASHER, FLAT, 19/64" ID x 7/8" OD x 1/8" EPDM	1
7	WASHER, FENDER, 5/16" ID X 1" OD, 18-8 SS	1
8	WASHER, SPLIT-LOCK, 5/16" ID, 18-8 SS	1

"Controlled Document  
Do Not Copy"

AVAILABLE IN MILL, AND  
BRONZE ANODIZED FINISHES.

**Quick Mount PV<sup>®</sup>**

TITLE:  
**QMSE: QMPV E-MOUNT**

UNLESS OTHERWISE SPECIFIED: DIMENSIONS ARE IN INCHES TOLERANCES: FRACTIONAL ± 1/8 TWO PLACE DECIMAL ±.18 THREE PLACE DECIMAL ±.125	SIZE <b>A</b>	DRAWN BY: RAD	REV <b>2</b>
	SCALE: 1:3	DATE: 3/26/2014	WEIGHT: 0.9564

SHEET 1 OF 1